

All of our suppliers have been carefully selected to meet our rigorous sustainability criteria – many offer exclusive offers for Border Oak customers.

Border Oak

Concept, design, engineering, oak frame, cassette panels, cladding and doors - Border Oak
www.borderoak.com

windows and french doors - Howarth

www.howarth-timber.co.uk

insulation - Knauf Ecowool

www.knaufinsulation.com

rooflights - Fakro

www.fakro.co.uk

guttering - Lindab

www.lindab.co.uk

roof tiles - Marley Eternit

www.marleyeternit.co.uk

timber treatment/decoration - Osmo

www.osmouk.com

internal and external paint - Pots of Paint

www.potsofpaint.com

woodburning Stove - Clearview Stoves

www.clearviewstoves.com

kitchen - DeVol Kitchens

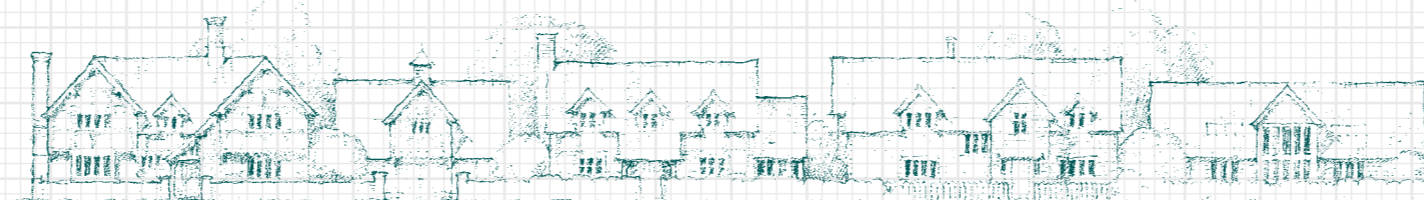
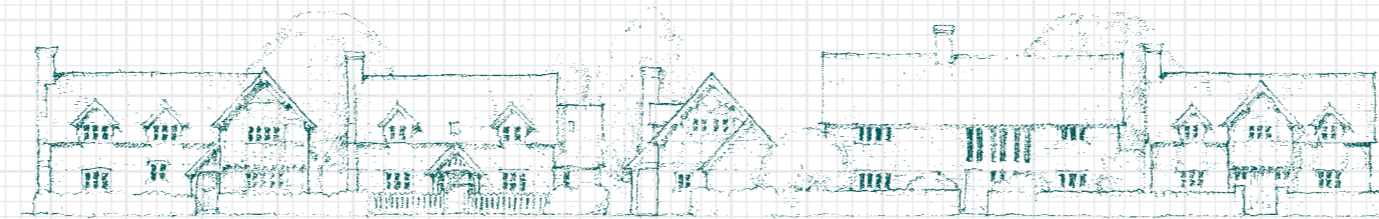
www.devolkitchens.co.uk

stair runner - Roger Oates

www.rogeroates.com

renewable energy package

www.worcester-solar.co.uk



the artisan house

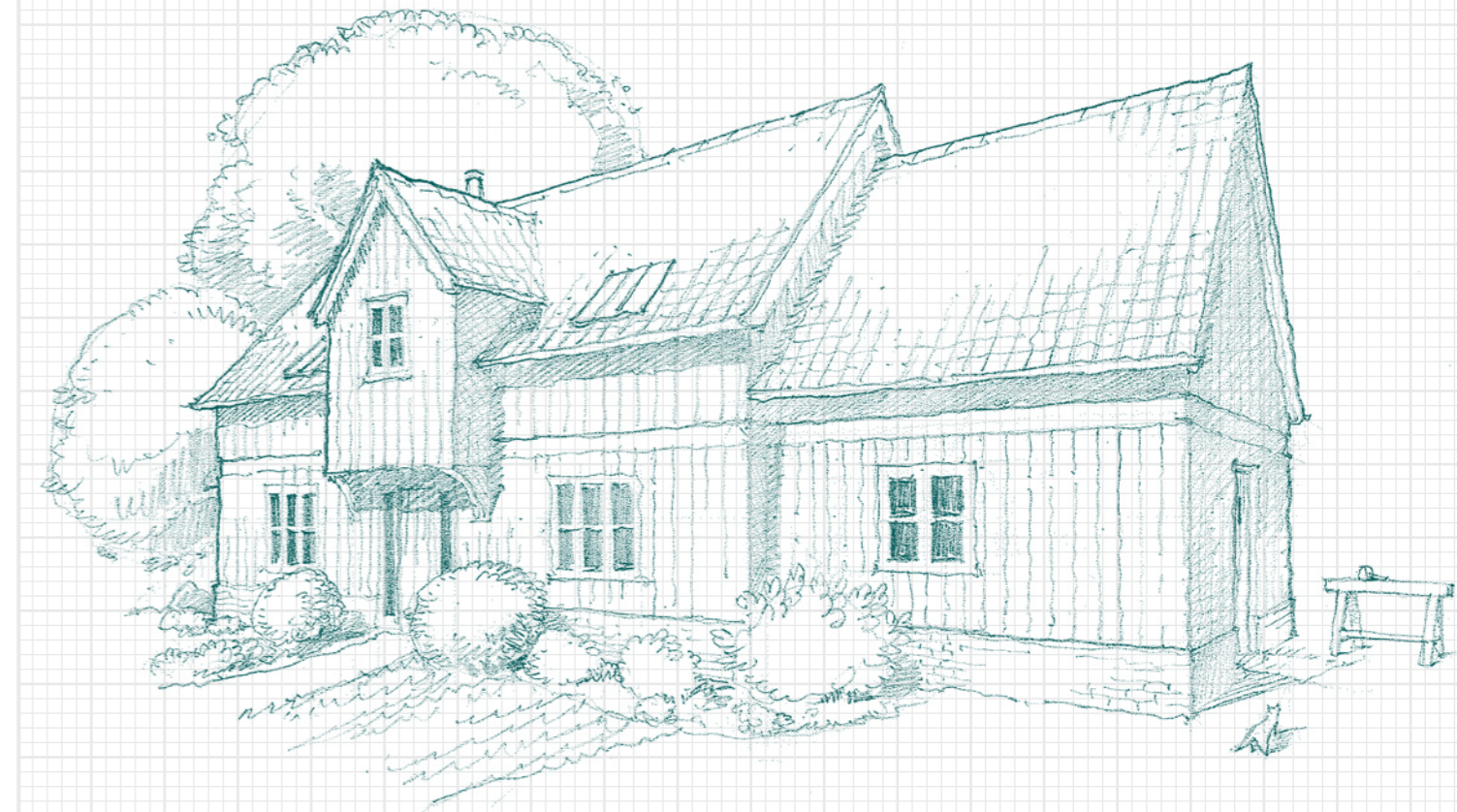
border oak

design & construction limited

Kingsland, Leominster, Herefordshire HR6 9SF England | www.borderoak.com

t: 01568 708 752 | f: 01568 708 295 | e: sales@borderoak.com

artisan house



the artisan house

A charming contemporary cottage that combines Border Oak's renowned craftsmanship with our new high performance cassette panels.

sustainability

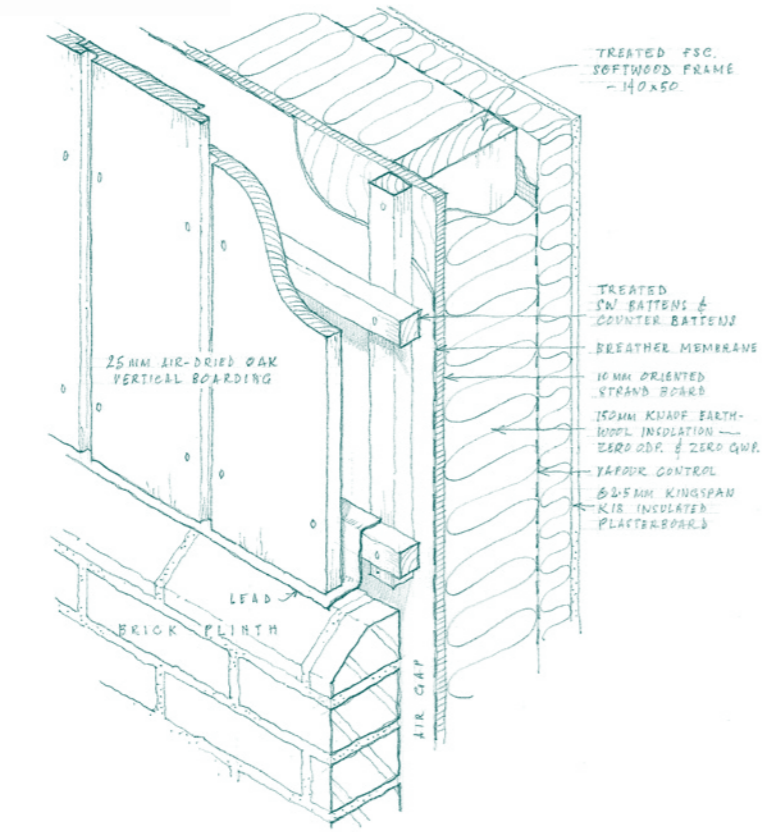
Border Oak adopt a holistic approach to sustainability, addressing all elements in harmony from design to lifestyle. Using the most appropriate and fundamental aspects of sustainable design, the Artisan range blends exceptional performance with a palette of the finest natural products to deliver a home that is ecological, pragmatic and affordable.

The first in our Artisan range is a spacious three bedroom cottage, clad in oak with stainless steel fixings. Our cassette panels form the perimeter walls around the hand made oak frame, and are filled with recycled insulation (exceeding all foreseeable regulations and scoring exceptionally well on the Code for Sustainable Homes). Virtually airtight, with minimal thermal bridging, the Artisan range is also quick to build. We have included an adjoining studio - ideal for the 21st Century Artisan (or indeed anyone wishing to work from home!) It could also be a fourth bedroom and bathroom - providing longevity, flexibility and a wonderful living environment.

materials

The materials used in the Artisan range have all been chosen because they have met our rigorous sustainability selection. They are either natural, low embodied energy, minimally processed, or carbon neutral. Many are locally or UK made, with minimal negative environmental impact. All are responsibly sourced, sustainable produced and high performance products.

Material specification is very important to us - but we try to avoid 'eco gimmicks' and passing fads. We endeavour to ensure that the first principles of the fundamental design are as sustainable and ecologically responsible as possible.



the Border Oak cassette panel system

Our innovative cassette panel has been developed and manufactured by Border Oak in Herefordshire. This unique multilayered system offers exception heat retention, excellent construction speed and comprises of natural, low impact, recycled and responsibly sourced materials. It incorporates a thermal break and vapour control. The cassettes lock around a beautiful handmade oak frame - the perfect marriage of innovation and tradition.

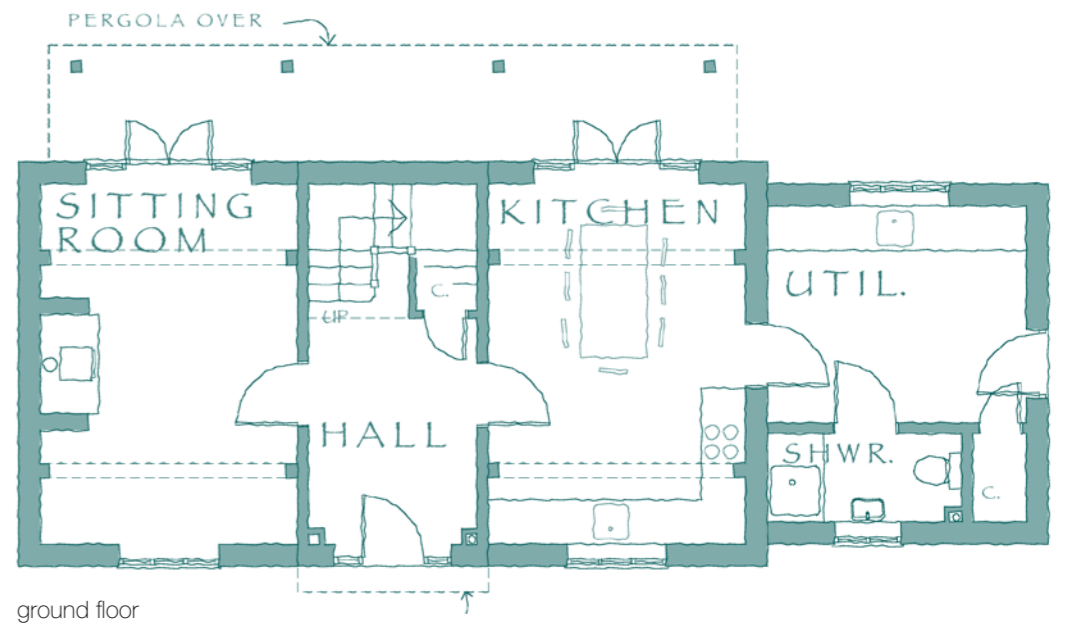
simple, beautiful, sustainable.



front elevation



side elevation



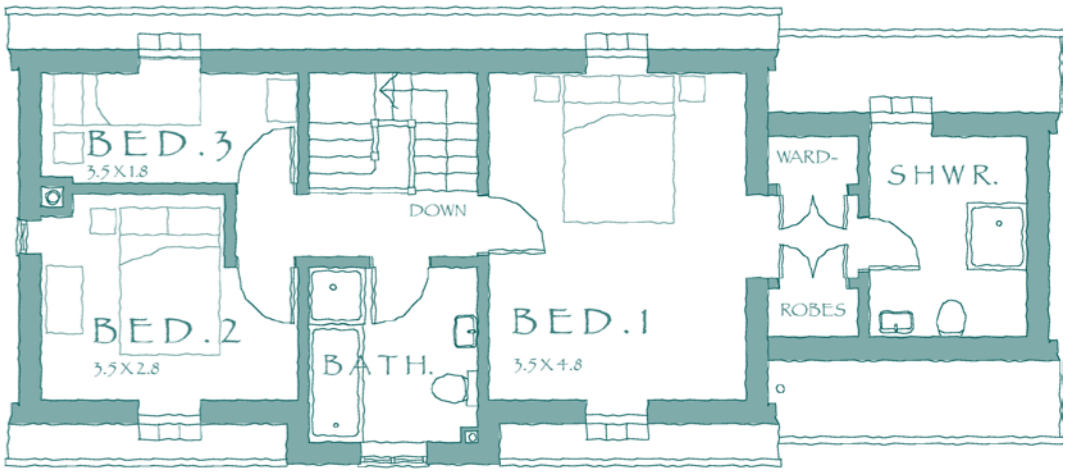
ground floor



rear elevation



side elevation



first floor